

# DAC V (1 1/2" - 2" and DN32 PN6 - DN50 PN10)

## Bottom coupling devices with vertical outlet

### General characteristics

- structure in GJL-250 cast iron
- seal in NBR rubber
- epoxy-vinyl paint
- full free passage
- complete with fitting for connection to polyethylene tube (Ø 63 mm)
- threaded outlet GAS 2" and GAS 2 1/2"
- complete with pipe guide and sliding flange with stainless steel fasteners
- allows the pump intake port to be kept at optimal height, meaning there is no need to provide a step in the bottom of the tank
- version with ball valve directly on the delivery port. This model comes with an incorporated breather valve for air venting



All product images are indicative only

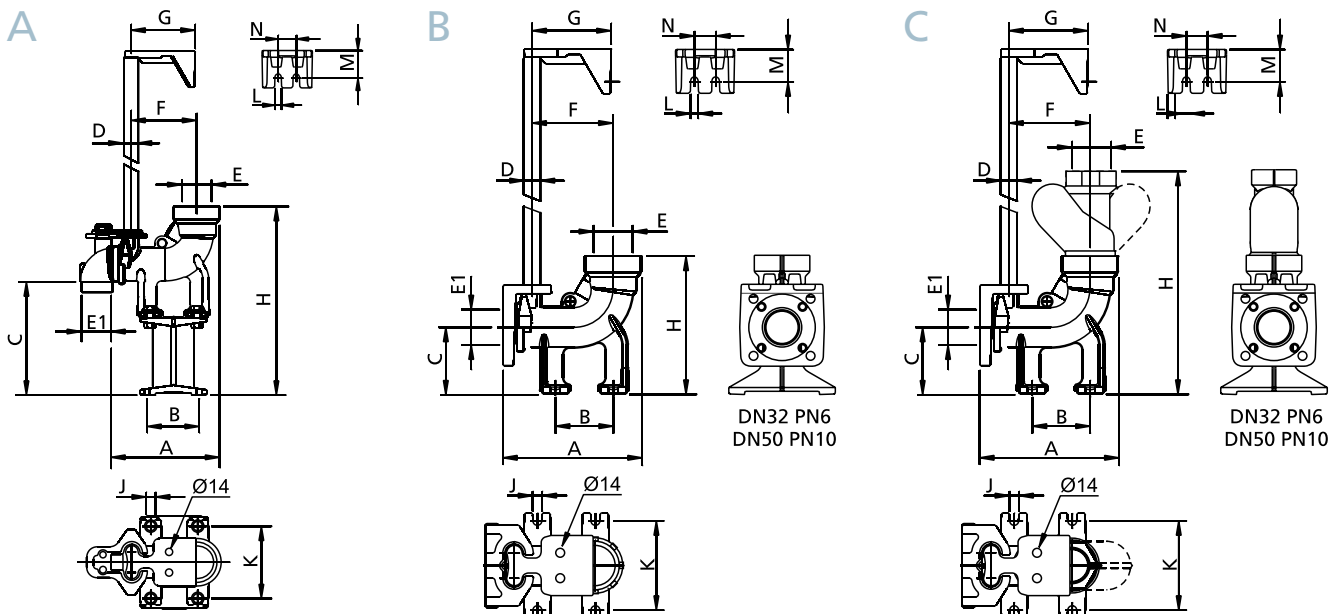
### Models

**DAC-N G40V/G50-65V** Inlet for vertical delivery pumps GAS 1 1/2", outlet GAS 2" - 2 1/2"  
**DAC-N G50V/G50-65V** Inlet for vertical delivery pumps GAS 2", outlet GAS 2" - 2 1/2"  
 Both of the accessories have a fitting for a PE 63 tube (GTP) or a ball check valve (VAP) + breather valve

**DAC-N 32-50/G50-65V** Inlet DN32 PN6 and DN50 PN10, outlet GAS 2" and GAS 2 1/2"  
 The accessory comes supplied with a fitting for a PE 63 (GTP) tube

**DAC-N 32-50/G50V+VAP** Inlet DN32 PN6 and DN50 PN10, outlet GAS 2" (valve outlet diameter)  
 The accessory comes supplied with a 2" ball valve  
 For correct operation, the DAC structure must have an automatic air release valve.

### Overall dimensions and weights



A	A	B	C	D	E	E1	F	G	H	J	K	L	M	N	Kg
DAC-N G40V/G50-65V	200	90	165	3/4"	G 2"-G 2 1/2"	G 1 1/2"	130	125	360	14	140	12	50	35	11
DAC-N G50V/G50-65V	200	90	220	3/4"	G 2"-G 2 1/2"	G 2"	130	125	360	14	140	12	50	35	11

B	A	B	C	D	E	E1	F	G	H	J	K	L	M	N	Kg
DAC-N 32-50/G50-65V	220	90	105	3/4"	G 2"-G 2 1/2"	50	130	125	215	14	140	12	50	35	8

C	A	B	C	D	E	E1	F	G	H	J	K	L	M	N	Kg
DAC-N 32-50/G50V+VAP	220	90	105	3/4"	G 2"	50	130	125	355	14	140	12	50	35	9

Dimensions in mm

All weights and dimensions are indicative only

# DAC V (DN65÷DN300)

## Bottom coupling devices with vertical outlet

### General characteristics

- structure in GJL-250 cast iron
- seal in NBR rubber
- epoxy-vinyl paint
- full free passage
- complete with pipe guide and sliding flange with stainless steel fasteners
- allows the pump intake port to be kept at optimal height, meaning there is no need to provide a step in the bottom of the tank
- a PATENTED system simplifies pump release and reduces the mechanical stresses on the guide pipes

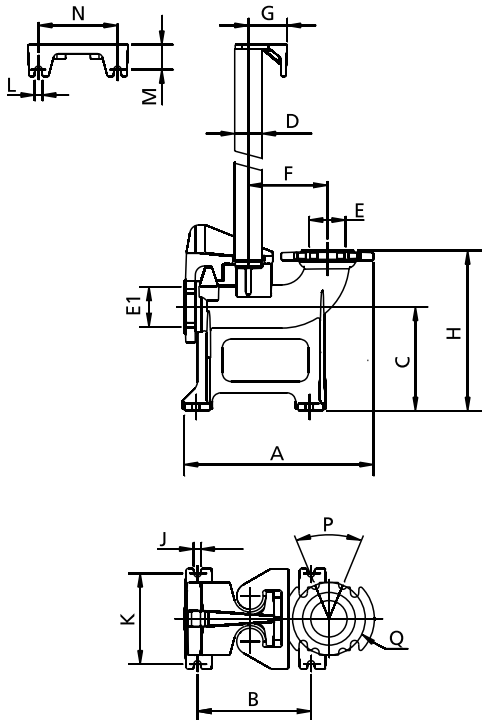


All product images are indicative only

### Models

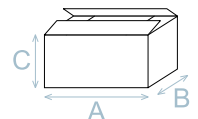
DAC-N 65/65V	Inlet DN65 PN10-16, outlet DN65 PN10-16
DAC-N 80/80V	Inlet DN80 PN10, outlet DN80 PN10-16
DAC-N 100/100V	Inlet DN100 PN10-16, outlet DN100 PN10-16
DAC-N 150/200V	Inlet DN150 PN10-16, outlet DN200 PN10
DAC-N 200/250V	Inlet DN200 PN10, outlet DN250 PN10
DAC-N 250/300V	Inlet DN250 PN10, outlet DN300 PN10
DAC-N 300/350V	Inlet DN300 PN10, outlet DN350 PN10

### Overall dimensions and weights



### Packaging dimension

	A	B	C
DAC-N G40V/G50-65V	385	225	245
DAC-N G50V/G50-65V	385	225	245
DAC-N 32-50/G50-65V	385	225	245
DAC-N 32-50/G50V+VAP	385	225	245
DAC-N 65/65V	475	375	240
DAC-N 80/80V	475	375	240
DAC-N 100/100V	475	375	240



All weights and dimensions are indicative only

	A	B	C	D	E	E1	F	G	H	J	K	L	M	N	P	Q	Kg
DAC-N 65/65V	400	250	240	2"	65	65	170	85	355	16	200	16	55	175	90°	145	26
DAC-N 80/80V	420	250	230	2"	80	80	175	85	355	16	200	16	55	175	45°	160	28
DAC-N 100/100V	450	250	220	2"	100	100	195	85	355	16	200	16	55	175	45°	180	31
DAC-N 150/200V	625	280	410	2"	200	150	305	150	600	24	250	14	50	100	45°	295	117
DAC-N 200/250V	700	500	370	2"	250	200	355	150	600	24	250	14	50	100	30°	350	149
DAC-N 250/300V	810	500	525	2"	300	250	430	150	805	24	250	14	50	100	30°	400	192
DAC-N 300/350V	955	500	495	3"	350	300	445	135	850	24	460	20	75	180	22.5°	460	293

Dimensions in mm

All weights and dimensions are indicative only